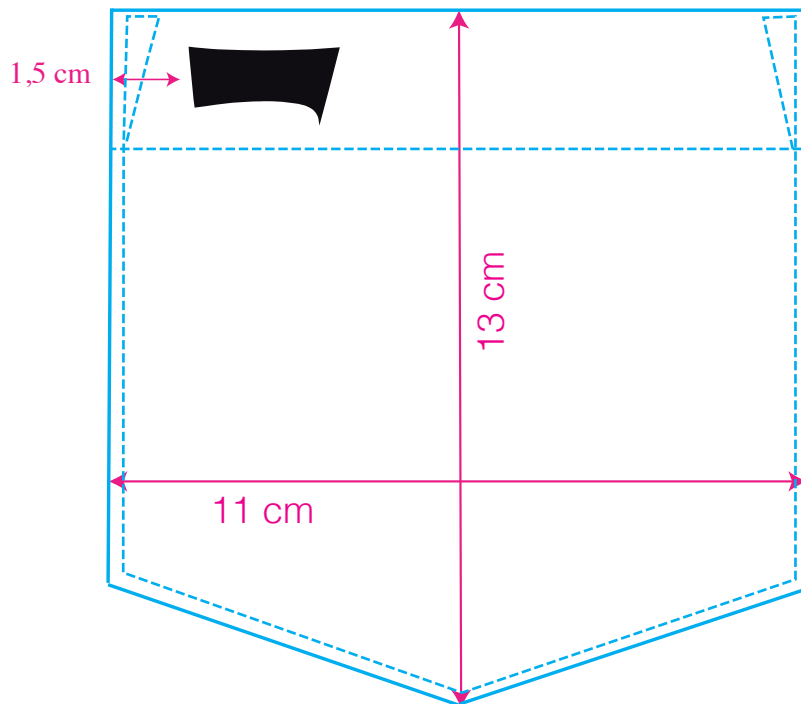


EMBROIDERY POSITION:  
EMBROIDERY ON LEFT FRONTAL  
POCKET.



Frontal pocket applied with thread in tone  
with 3mm seam.

